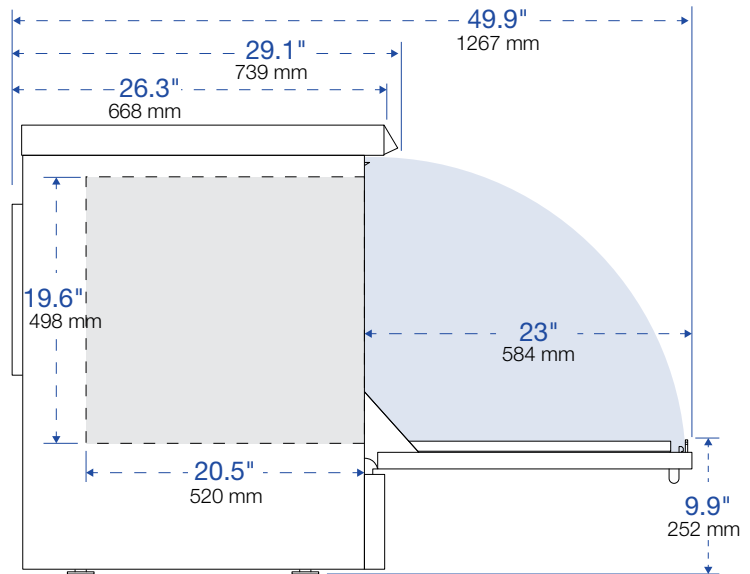
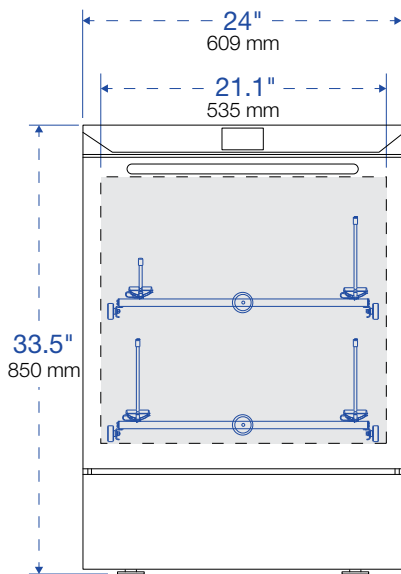


# ULTIMA series model 815 LX

## laboratory washer/dryer

**LANCER**  
GETINGE GROUP

### DATASHEET



### Base Model ULTIMA series 815 LX

- Door Configuration**  
 Fold-down door is made of solid 304L stainless steel. Optional View-In-Process (VIP) window provides a view inside the chamber.
- Water Per Fill**  
 3.1 gal (12 L)
- Interior Dimensions (w x h x d)**  
 21.1" x 19.6" x 20.5"  
 (535 x 498 x 520 mm)
- Exterior Dimensions (w x h x d)**  
 24" x 33.5" x 29.1"  
 (609 x 850 x 739 mm)
- Exterior Dimensions (w x h x d) with optional base cabinet**  
 24" x 52.8" x 29.1"  
 (609 x 1340 x 739 mm)
- Wash Programs**  
 4 Presets,  
 36 Custom Settings
- Cycle Functions\***  
 95°C (203°F),  
 Drying: Forced-air Chamber
- Weight**  
 187 lb. (85 kg)
- Effective Chamber Volume**  
 4.9 cu.ft.

\*Up to 85°C (185°F) on 120V models.

Drawings display front and side of unit with door swing allowance.



Lancer model 815 LX labware washer; shown with optional View-In-Process (VIP) window.

---

# General Specifications

---

## General Features

### Fold-down Door

- Counterbalanced for ease of operation
- Ensures proper rack placement and connection to manifold
- Manufactured of solid 304L stainless steel
- Fully insulated to reduce heat loss and noise
- Provides sturdy loading platform, improving ergonomics

### Fully Extendable, Load-Bearing Arms

- Support jet racks for loading and unloading of glassware

### Spray System

- Spray arms made of sanitary high-grade 316L stainless steel
- Easily disassembled for cleaning and maintenance

### System Wash Levels

- Two levels to increase wash configurations
- Rack accessories are independent and easily removed for use on all levels
- Racks are interchangeable among ULTIMA series models 810 LX, 820 LX, 910 LX, 1300 LX and 1800 LXA

### Drying System

- Drying fans blow heated air through the chamber
- 2.4 kW heating elements and blower

### Main Recirculation Pump

- Capacity of 92 gal/min (350 L/min))

### Filter System

- Multi-chamber filters on all incoming water lines
- Multi-chamber filters easily removed for cleaning

### Automatic Peristaltic Dosing Pumps

- Provides precise addition of chemical agents

### Wash Solution Heating System

- 6 kW electric heating elements provide heat up to 95°C (203°F)

### Electronic Thermostat

- Independent selection of temperature for prewash, wash and final rinse between ambient and 95°C (203°F)

### Temperature Probe

- Integrated Pt-1000 temperature probe

### Condenser

- Removes steam vapor when chamber temperature exceeds 50°C (122°F)

### Steam Condenser

- Removes steam vapor when chamber temperature exceeds 50°C (122°F).

### Water Level Sensors

- Two independent sensors control chamber water level and prevent overflow
- Automatically adjust fill volume to optimal level based on chamber load

---

## Controls

### HMI

- 3.5" Prolux programmable microprocessor controller
- Intuitive touchscreen user interface
- Real-time cycle performance

### Communication and Connectivity

- Front panel USB port
- Ethernet port
- RS422/485

### Programming

- User programmable with four preset programs and 36 user defined programs
- Passcode protected access levels

### System Monitoring

- Audible and visual alarms provide quality control for each wash cycle
- Self-diagnostic software provides real-time monitoring
- Alarm history

---

## Programming and Cycle Operation

**1-Prewash:** Select number of prewashes (0 to 3), duration of prewash (up to 30 minutes), temperature of water (up to 95°C / 203°F) and detergent dosing time. User can select cold or DI water.

**2-Wash:** Select Duration of wash (up to 30 minutes), detergent dosing time and temperature of water (up to 95°C / 203°F). User can select cold or DI water.

**3-Rinse A:** Select number of rinses (0-9). Duration of rinse (up to 30 minutes), temperature of water (up to 95°C / 203°F). User can select cold or purified water.

**4-Acid Rinse:** Select duration of rinse (up to 30 minutes) Acid dosing time and temperature of water (up to 95°C / 203°F). User can select cold or purified water.

**5-Rinse B:** Select number of rinses (0-9), duration of rinse (up to 30 minutes) and temperature of water (up to 95°C / 203°F). User can select cold or purified water.

**6-DI Rinse:** Up to 4. Duration of rinse (up to 30 minutes), temperature of water (up to 95°C / 203°F). User can select cold or purified water.

**7-Final rinse:** Duration of rinse (up to 30 minutes), temperature of water (up to 95°C / 203°F).

**8-Drying:** Adjustable time up to 35 minutes, and mode to include heated forced-air drying.

**9-Cooling:** Duration of 5 minutes.

---

## Construction

### Wash chamber and door

- Constructed of AISI 304L stainless steel
- High-grade finish, electronically-welded under Argon protection

### Components

- Constructed of stainless steel or other materials impervious to the effects of detergents, additives and general laboratory chemical residues

### Insulation


- Synthetic, rubber-based closed cell foam
- Guards against heat loss and reduces noise

---

## Safety Features

- Door interlock prevents interference with wash cycle once it is in operation.
- Fold-down door is counterbalanced for safe operation.

# Optional Features

<b>Features</b>		<b>815 LX</b>
Discharge Water Cooling	Reduces effluent temperature to less than 60°C (140°F) for code compliant transfer to utility drain.	<input type="radio"/>
pH Programming	Neutralizes effluent before transfer to utility drain.	<input type="radio"/>
Liquid Level Sensor	Indicates low volume in detergent and acid additive reservoirs.	<input type="radio"/>
External Printer, Externally Mounted	Installs by direct connection to washer port. Generates 2.25" (57 mm) thermal strip record of washer function.	<input type="radio"/>
IQ/OQ Validation	Includes documentation verification, review of accessories/options, review of equipment installation, verification of utility supplies, review of access levels, review of configuration settings, I/O testing, functional testing, alarm testing and a complete cycle test.	<input type="radio"/>
<b>Utilities</b>		<b>815 LX</b>
Low Pressure Kit	Boosts DI water supply input pressure to assure optimum performance.	<input type="radio"/>
<b>Construction</b>		<b>815 LX</b>
Base Cabinet	Stainless steel cabinet sized to accommodate models 810 LX and 815 LX, or model 820 LX. Elevates washer loading platform by 19.25" (490 mm) to improve ergonomic access when undercounter installation is not desired.	<input type="radio"/>
Preventive Maintenance	Annual Preventive Maintenance agreements ensure optimum washer/dryer performance and extend equipment life. Contact us for details.	<input type="radio"/>
View-In-Process Window (VIP)	 Includes interior light, permitting visual verification during wash cycles.	<input type="radio"/>

## Utility Requirements

Utility	Characteristic	Connection	Consumption
Water <ul style="list-style-type: none"> <li>• cold</li> <li>• DI</li> </ul>	Pressure: 200 to 600 kPa 29 to 87 psi  Flow: 5.25 gpm (20 L/min)  Temperature: Ambient up to 50°C (122°F)	Male threaded: 3/4" (20/27)	3.1 gal (12 L) per fill
Electricity	Voltage: request  Frequency: 60Hz		See Electrical Table
Drain	Fixed standpipe and plumbing trap Height above floor: from 20" (500 mm) to 27" (686 mm)	Inner Diameter: 1 1/2" (40 mm)	Required to handle 10.5 gpm (40 L/min) max temp 95°C (203°F)

Frequency	kW	Amps	Breaker Size
208V, 60Hz, 3-phase	7	20	25
208V, 60Hz, 1-phase	7	34	40
120V, 60Hz, 1-phase	2	17	20

© Lancer ULTIMA 815 LX DATASHEET-US OW10990 10/2016 Specifications subject to change without notice.