

8

7

6

5

4

3

2

1

D

D

C

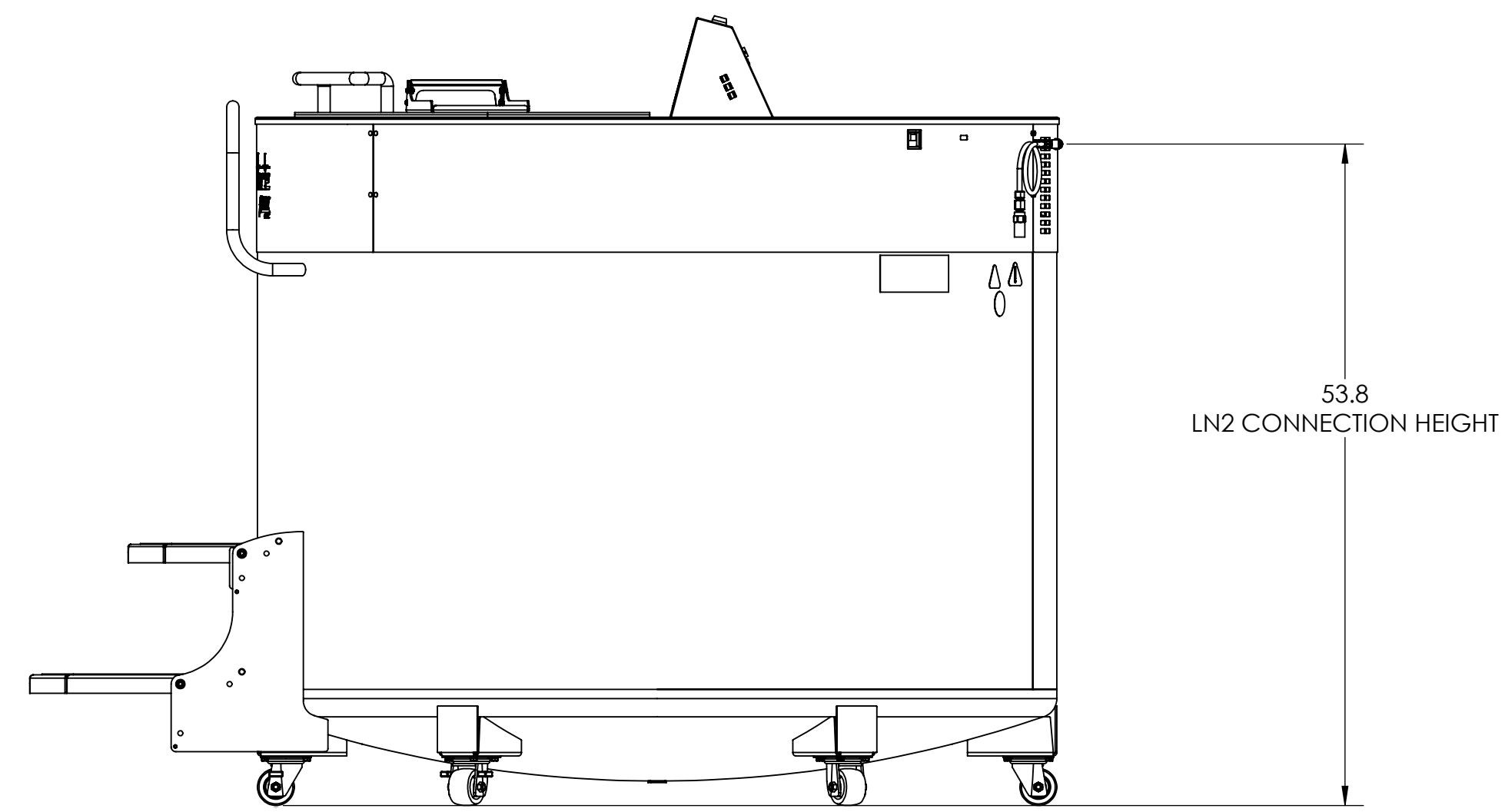
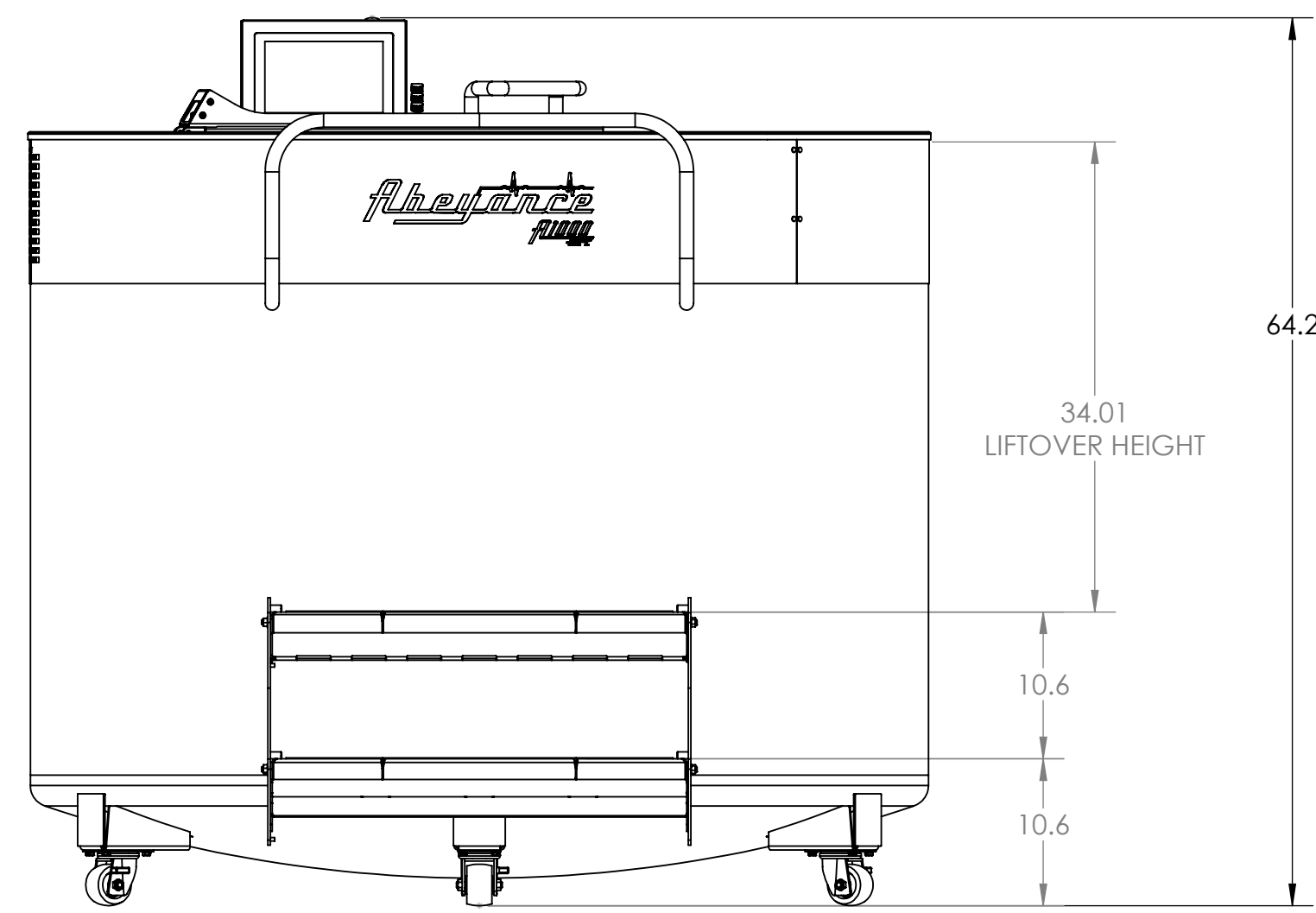
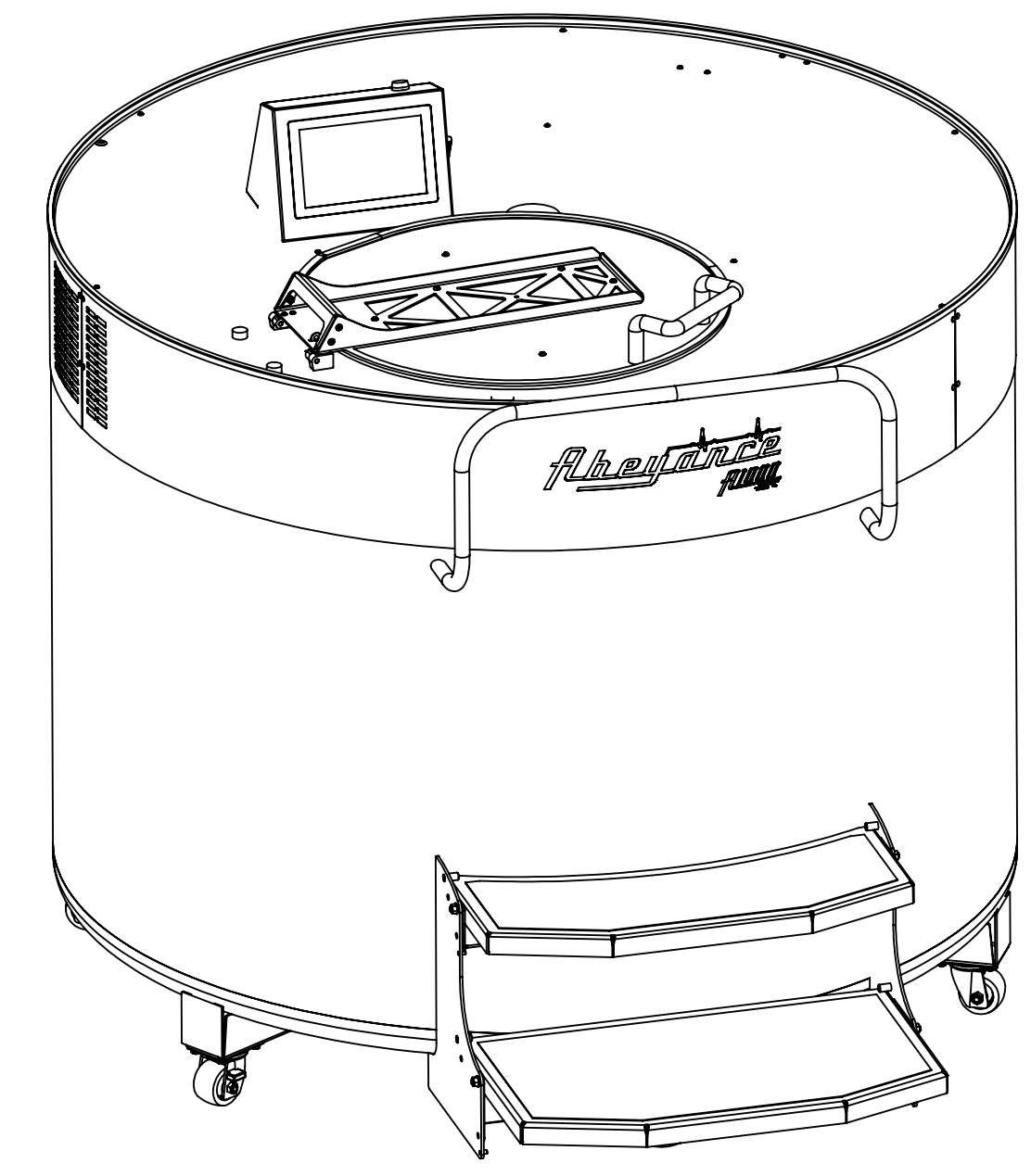
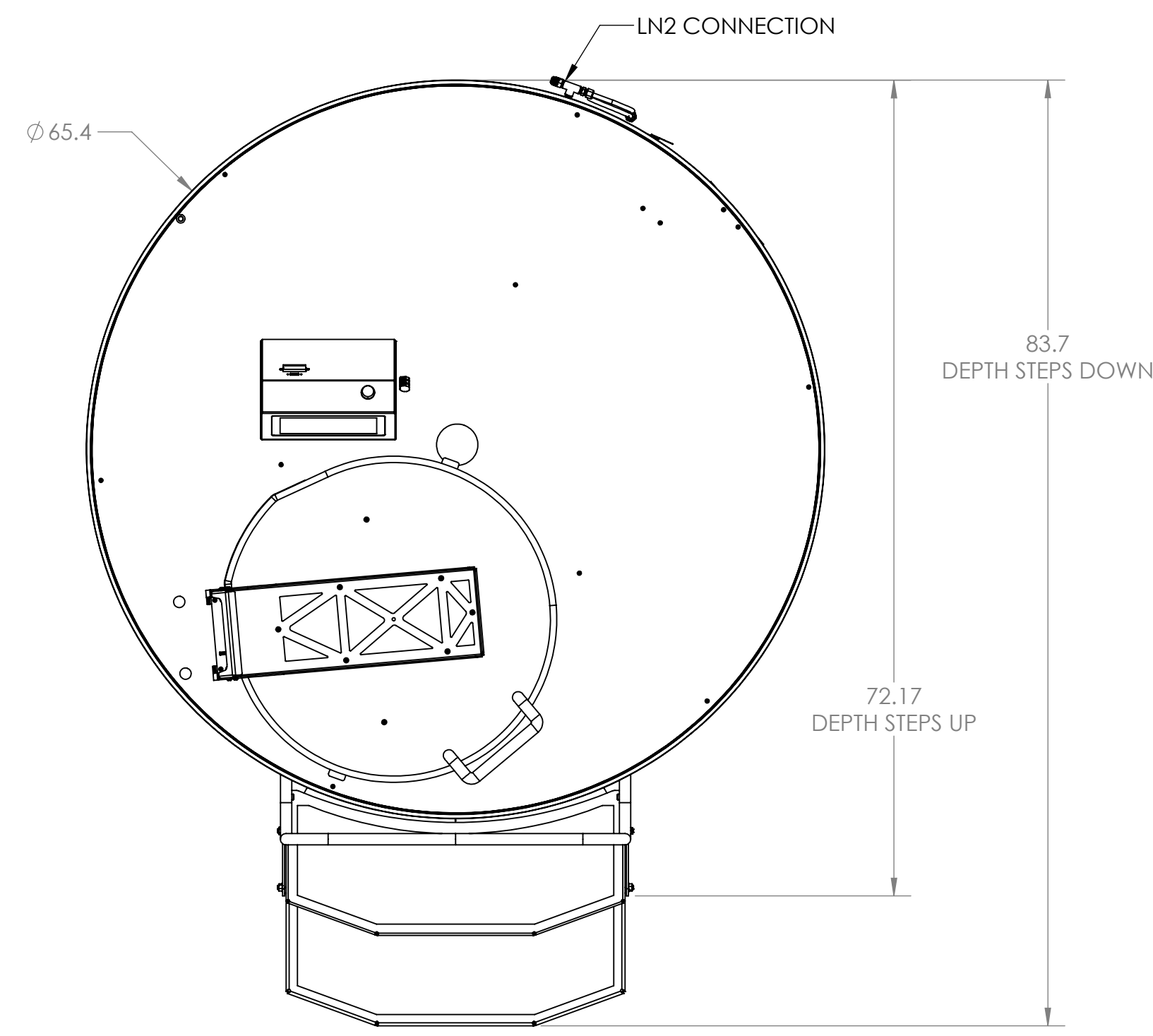
C

B

B

A

A



UNLESS OTHERWISE SPECIFIED: DIMENSIONS ARE IN INCHES TOLERANCES: ANGULAR: $\text{MACH} \pm 0.5^\circ$ HOLE: ± 0.015 TWO PLACE DECIMAL $\pm .010$ THREE PLACE DECIMAL $\pm .005$ INTERPRET GEOMETRIC TOLERANCING PER: ASME Y14.5-2009 MATERIAL: SEE NOTES FINISH: SEE NOTES DO NOT SCALE DRAWING	DRAWN	NAME	DATE	ABEYATECH, LLC
	SDC		5/18/2018	
PROPRIETARY AND CONFIDENTIAL THE INFORMATION CONTAINED IN THIS DRAWING IS THE SOLE PROPERTY OF ABEYATECH, LLC. ANY REPRODUCTION IN PART OR AS A WHOLE WITHOUT THE WRITTEN PERMISSION OF ABEYATECH, LLC IS PROHIBITED.				TITLE:
				65° FREEZER - A1000
SIZE		DWG. NO.		
D		65		
SCALE: 1:5				SHEET 1 OF 1

8

7

6

5

4

3

2

1