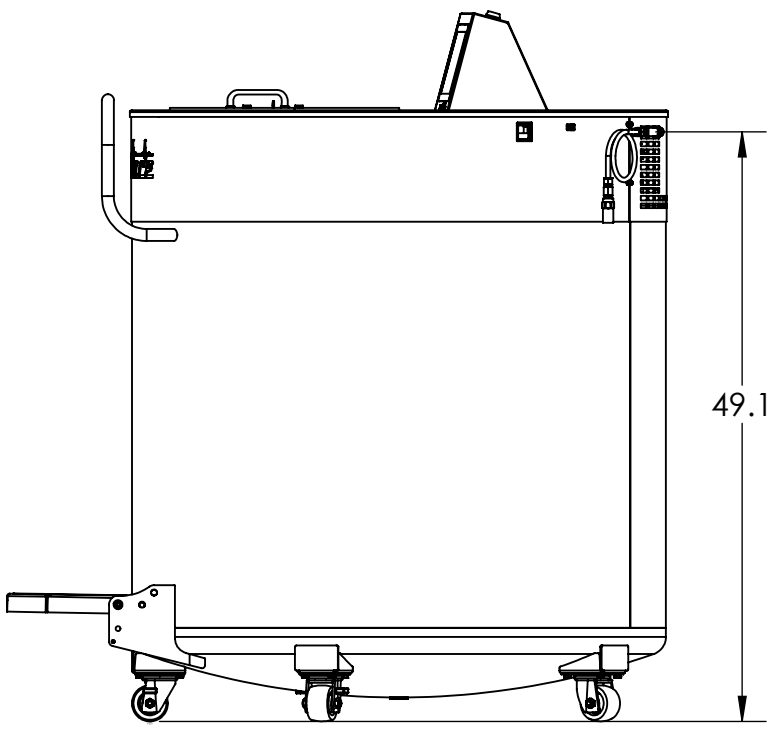
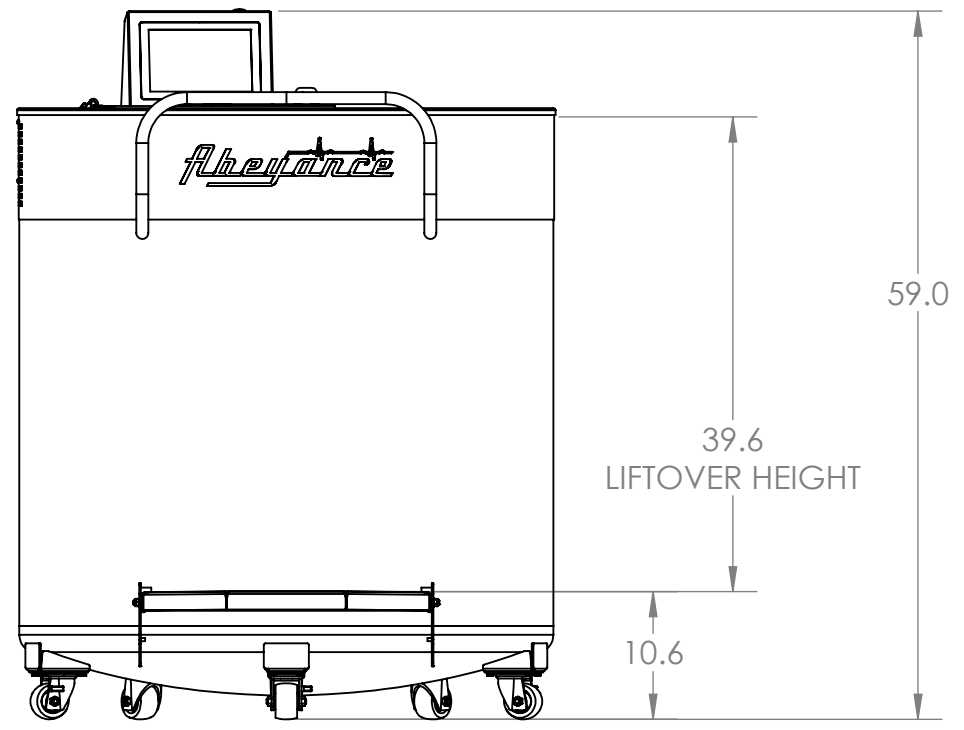
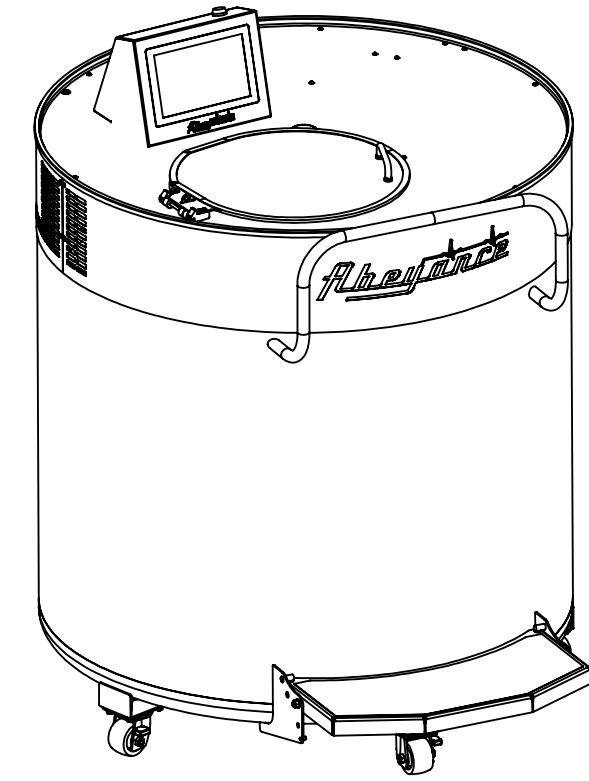
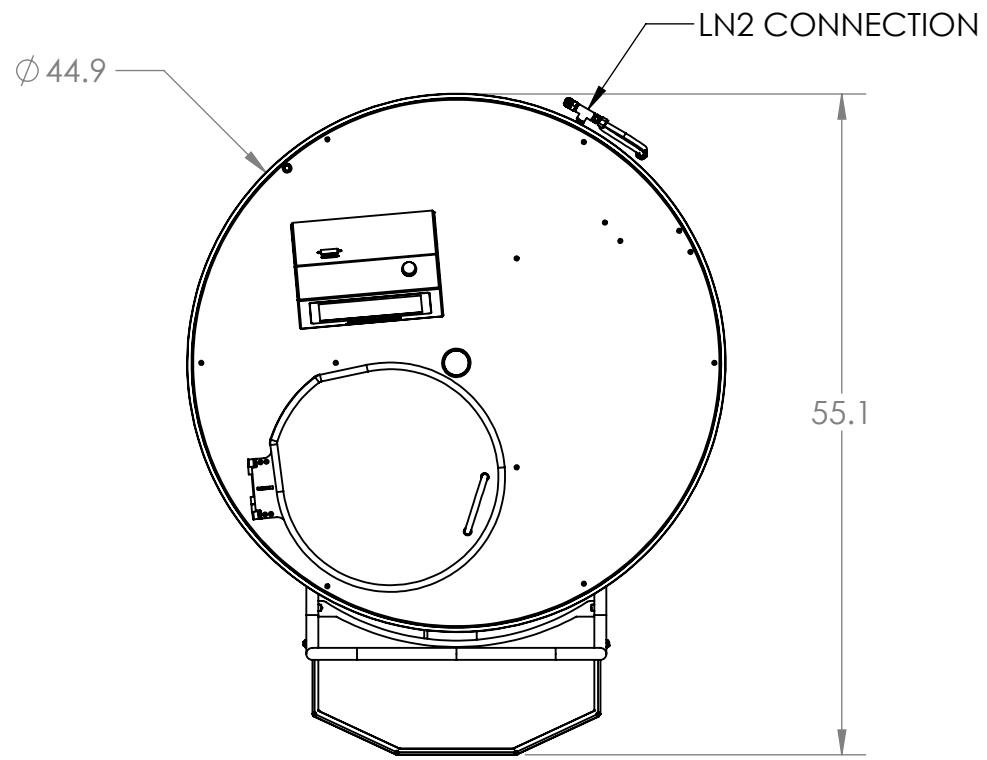


4

3

2

1



UNLESS OTHERWISE SPECIFIED:		NAME	DATE	ABEYATECH, LLC		
DIMENSIONS ARE IN INCHES		DRAWN	SDC			4/23/2018
TOLERANCES:		PROPRIETARY AND CONFIDENTIAL THE INFORMATION CONTAINED IN THIS DRAWING IS THE SOLE PROPERTY OF ABEYATECH, LLC. ANY REPRODUCTION IN PART OR AS A WHOLE WITHOUT THE WRITTEN PERMISSION OF ABEYATECH, LLC IS PROHIBITED.			TITLE:	
ANGULAR: MACH ± 0.5°						A440 SALES DRAWING
BEND ± 0.5°						
TWO PLACE DECIMAL ± .010						
THREE PLACE DECIMAL ± .005		INTERPRET GEOMETRIC TOLERANCING PER: ASME Y14.5-2009			SIZE	
MATERIAL		SEE NOTES			DWG. NO.	
FINISH		SEE NOTES			B	
DO NOT SCALE DRAWING					SCALE: 1:2	
					SHEET 1 OF 1	

4

3

2

1

B

B

A

A