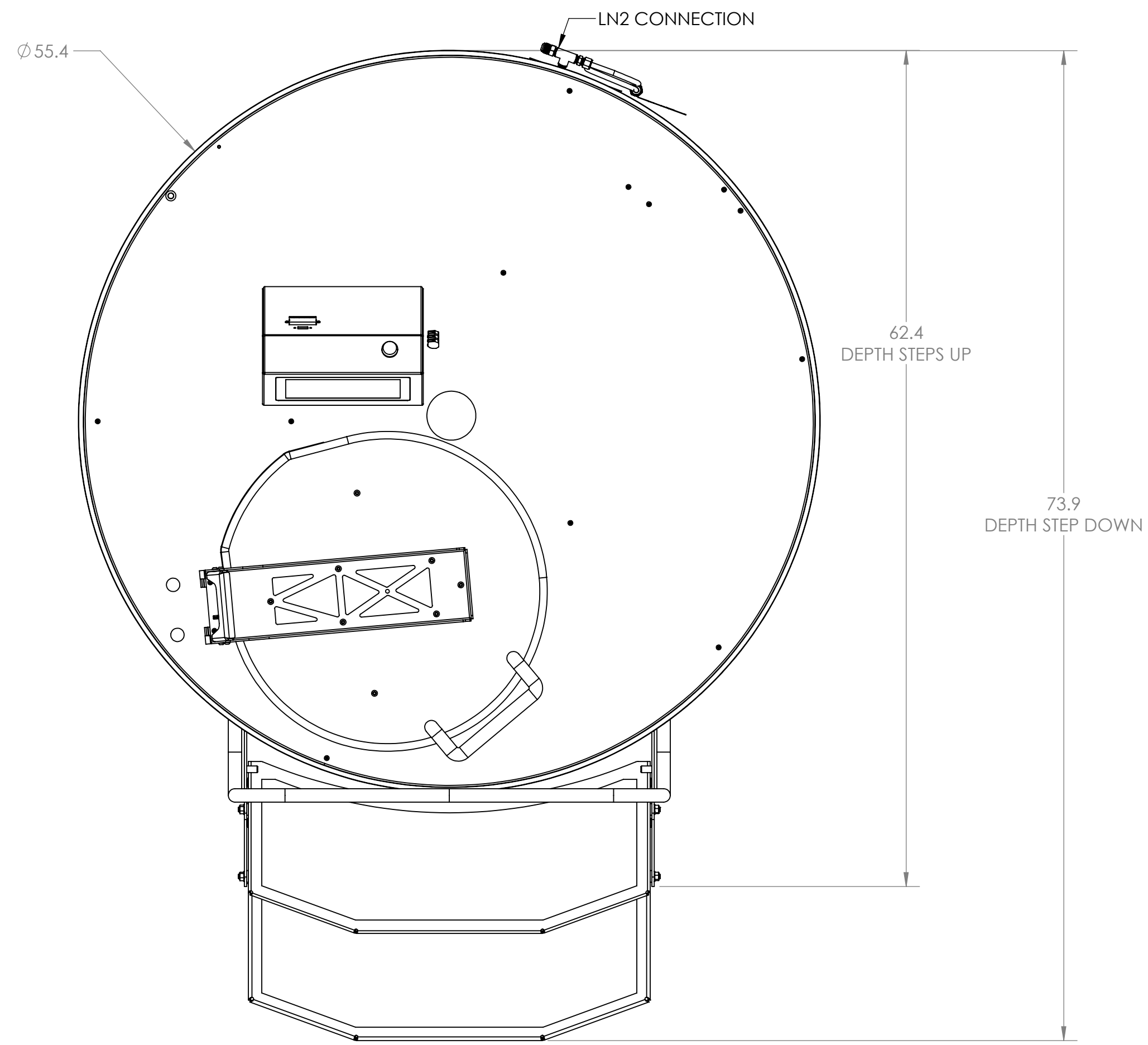


8 7 6 5 4 3 2 1

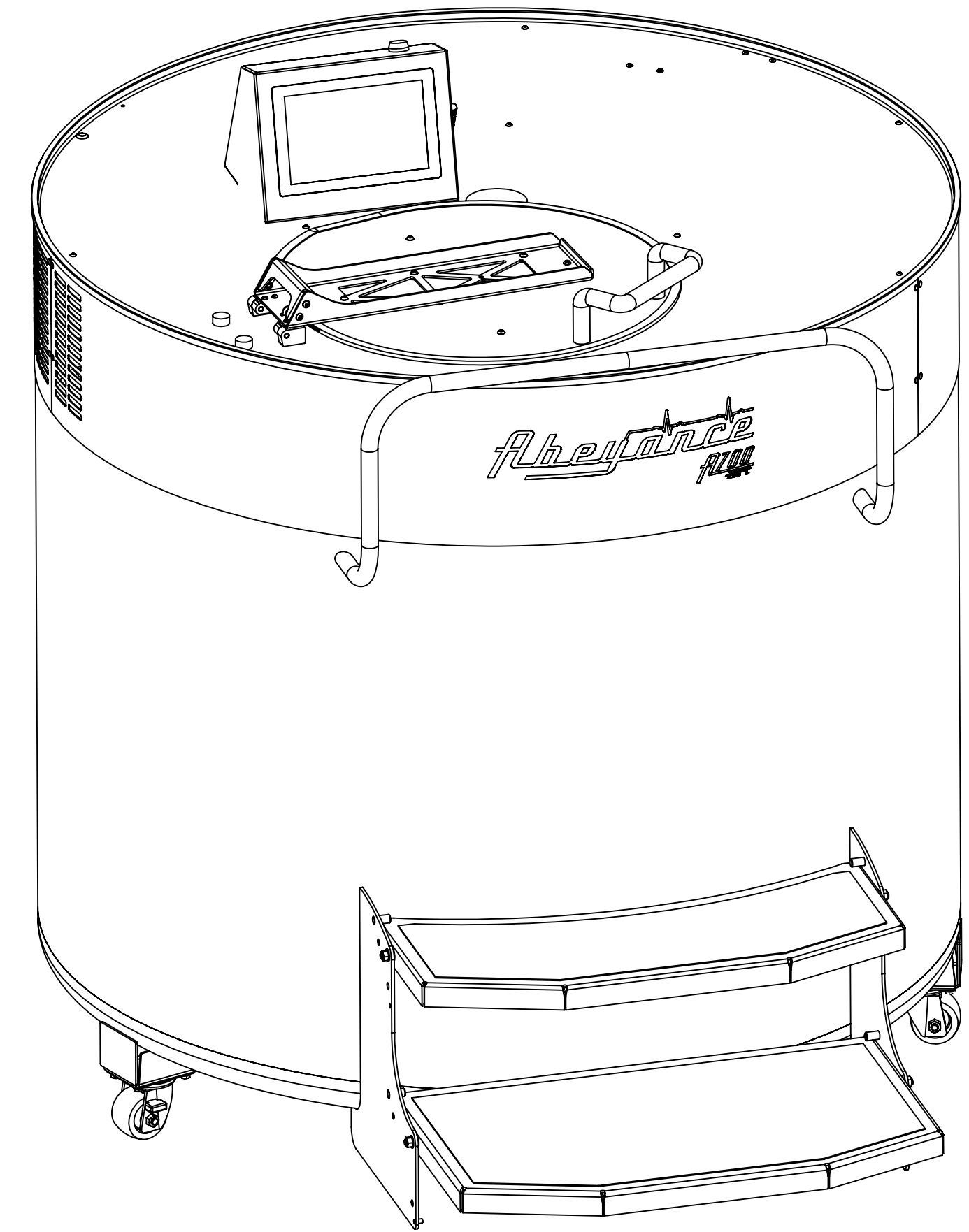
D



D

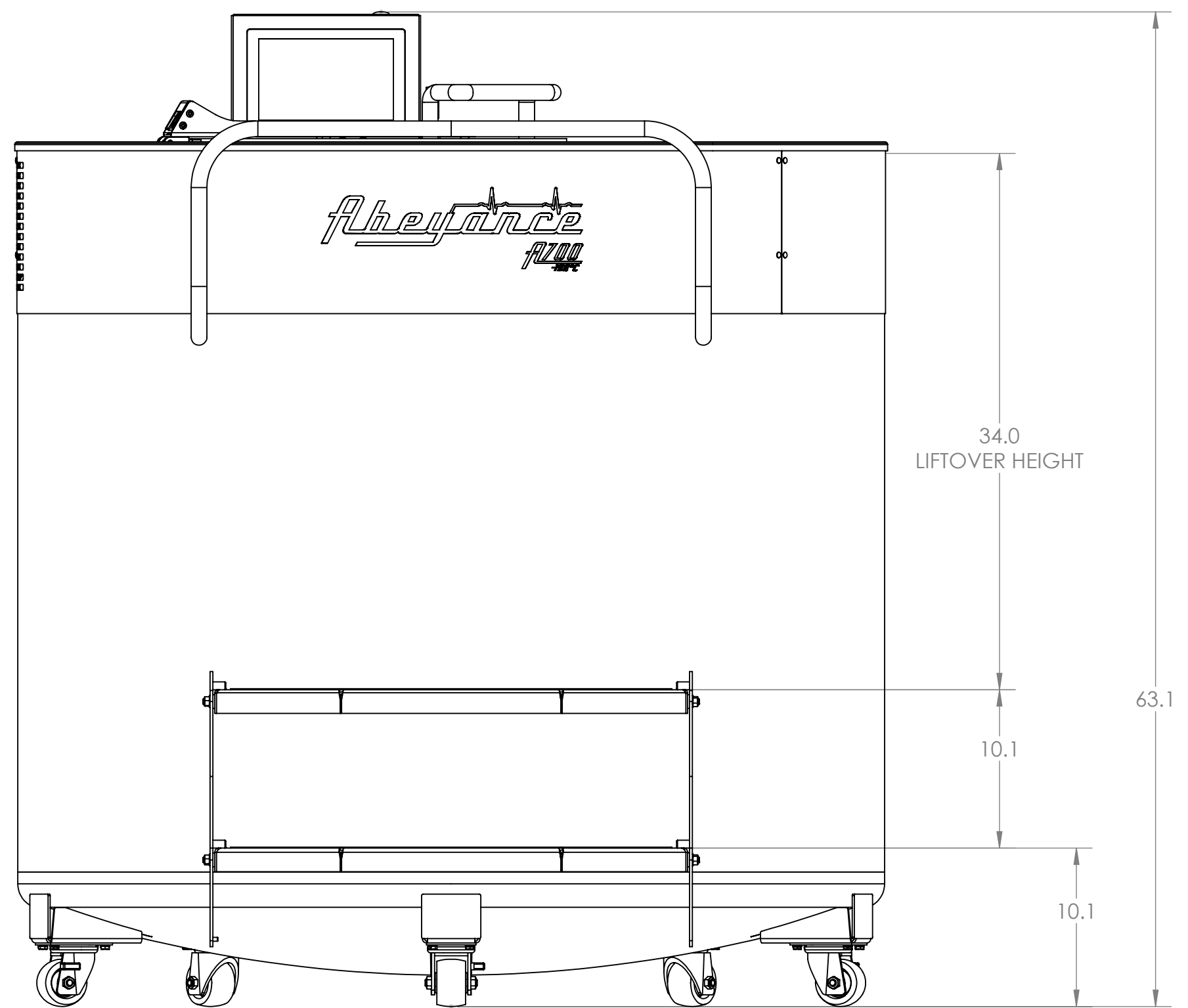
C

C



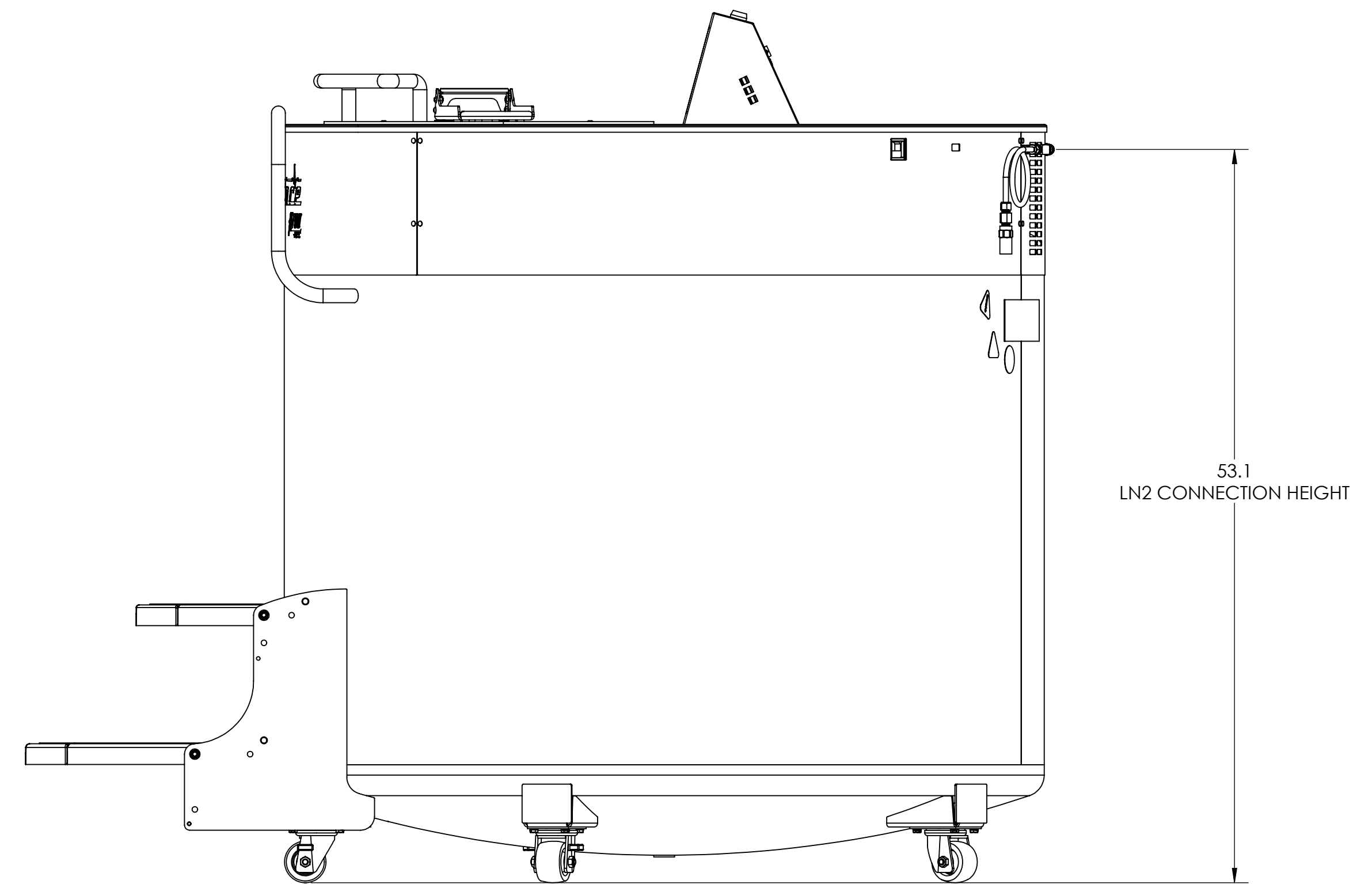
B

B



A

A



8 7 6 5 4 3 2 1

UNLESS OTHERWISE SPECIFIED: DIMENSIONS ARE IN INCHES		NAME	DATE	ABEYATECH, LLC
TOLERANCES: ANGULAR: MACH $\pm 0.5^\circ$ BEND $\pm 0.5^\circ$ TWO PLACE DECIMAL $\pm .010$ THREE PLACE DECIMAL $\pm .005$		DRAWN	SDC	
INTERPRET GEOMETRIC TOLERANCING PER: ASME Y14.5-2009		MATERIAL		TITLE: 55" FREEZER - A700
FINISH		SEE NOTES		
DO NOT SCALE DRAWING		MATERIAL		SIZE DWG. NO. D 55
		FINISH		SCALE: 1:5 SHEET 1 OF 1